



CALLAHEAD'S **MAC** TOILET SYSTEMS

CALLAHEAD is New York's largest portable sanitation company commanding 65-75% of the market for significant reasons, inventions that have changed the industry and our unmatched performance. CALLAHEAD's **MAC SYSTEM** is another innovation by CALLAHEAD. It is a revolutionary product that delivers a porcelain toilet and portable water and sewer system to commercial and residential locations such as, container office trailers, home basements, high-rise buildings and skyscrapers, traditional office trailers, garages and sheds and so much more. The **MAC SYSTEM** delivers a homelike bathroom system by quickly and easily transporting waste up, down, across, and around without the need of gravity. It will operate perfectly above ground or below. CALLAHEAD's **MAC SYSTEM** offers real solutions for a stress-free porcelain toilet system at the job site. The **MAC SYSTEM** is a first for the portable sanitation industry and a CALLAHEAD exclusive.

Businesses also must offer ADA compliant restroom options. The **MAC TOILET SYSTEM** is in compliance with the Americans with Disabilities Act (ADA) with the toilet seat height within ADA-compliant toilets, which are 17 to 19 inches from floor to seat. The **MAC SYSTEM** will assist with sitting and standing up, for the benefit those with physical handicaps and the elderly.



CALLAHEAD®

NEW YORK

TOLL FREE: (800) 634-2085 FAX: (800) 634-8127
EMAIL: info@callahead.com

CALLAHEAD'S **MAC** TOILET SYSTEMS

The **MAC SYSTEM** is the answer when you do not have gravity to move waste, if the toilet bowl is located too far from the waste tank, waste needs to move up to reach the waste tank located at a higher level, and when you need to move waste vertically up to 10-feet or horizontally up to 100-feet. These situations include, container office trailers without a crawl space, limited space available, basements with toilets below grade or beneath sewer lines, commercial space where the waste must move through buildings and various floors, and when the waste must be macerated to move through smaller plumbing pipes and hoses, or you need to conserve water usage down to 1-gallon per flush. The **MAC SYSTEM** pressurizes the waste to move through the plumbing lines to a waste tank located anywhere up, down, over or around sending the waste directly to a CALLAHEAD waste tank. The system uses fresh water in the toilet bowl to trap odors and gas below the water line just like a home porcelain toilet. When you have no running water available CALLAHEAD also provides fresh water for flushing, and a well pump to deliver 50 pounds of water pressure at every flush. Our **MAC SYSTEM** can also accommodate sink and shower drains to remove grey waste water to a waste water holding tank.

CALLAHEAD's **MAC SYSTEM** includes a full-size toilet bowl, large waste tank, large fresh water tank, and a well pump to supply 50 pounds of water pressure. The **MAC SYSTEM**'s toilet bowl is constructed of vitreous china and has a macerator pump built in to make it one compact unit. When flushing the toilet bowl, the waste flushes away in just seconds like any home toilet. The water flushes the waste to the toilet's macerator equipped with high-powered blades to liquefy all waste before transporting it to a CALLAHEAD waste tank for storage. The macerator turns at 3600 RPM macerating all waste and paper immediately. The macerator only runs for 10-15 seconds. The toilet bowl will automatically fill with fresh water with absolutely no residue returning into the toilet bowl thanks to the built-in non-return check valve. All waste is forced with a pump through the main waste line eliminating the need for a vent line. Whether your site requires vertical cylinder tanks or low-profile flat tanks, CALLAHEAD offers the perfect waste and fresh water tanks for your situation in various sizes. All CALLAHEAD waste and fresh water tanks are made of ¼" thick marine grade polyethylene with 3" female pipe thread fittings for secure connections. Tanks can be used for above ground waste storage underneath, outside or beside any portable restroom trailer, container, house, shed or garage. The polyethylene resin mixture makes the tank durable in extreme weather conditions and resists cracking. It will keep waste and fresh water secure in all weather conditions. CALLAHEAD also puts heaters inside all our tanks to eliminate freezing. All CALLAHEAD's waste water tanks are black, and all fresh water tanks are white. CALLAHEAD never uses a waste tank to hold fresh water and never uses a fresh water tank to hold waste. The same goes for CALLAHEAD's tank trucks. Fresh water tank trucks only carry fresh water, and waste tank trucks are only used to transport waste.



CALLAHEAD services New York City's five boroughs of Brooklyn, Queens, Manhattan, Staten Island and the Bronx as well as all of Westchester, Nassau, and Suffolk Counties. Our professional uniformed installation technician will install the **MAC SYSTEM** at your location. Our technicians install and service these systems daily and are experts in the industry. First, our technician will remove your old system and install CALLAHEAD's superior **MAC TOILET SYSTEM** which includes a porcelain toilet, large fresh water holding tank, large wastewater holding tank, and a pump that provides 50 pounds of water pressure. We will also install our CALLAHEAD sign-in chart with every system. The **MAC SYSTEM** will be hooked up and fully operational in approximately 2-4 hours.

CALLAHEAD's weekly professional service is also available. Every professional service technician is in full uniform and will arrive the same day each week, excluding holidays to service your **MAC TOILET SYSTEM**. We empty the waste tank with a CALLAHEAD waste tank truck that is only used to transport waste. Fresh water delivery is also available and delivered by a CALLAHEAD fresh water delivery truck that only carries fresh water. You can have peace of mind knowing CALLAHEAD never puts waste in a fresh water truck or fresh water in a waste truck. At every service, our CALLAHEAD professional technicians will sign and provide the date and time when all tanks are serviced, and fresh water delivered. Repairs are included with every **MAC TOILET SYSTEM** rental. Although repairs are rarely necessary, if your system ever does require repair, simply call our office, and a CALLAHEAD professional uniformed service technician will be dispatched to your location. Repairs are conducted the same day or the next morning in most cases. If the fresh water runs out of your **MAC TOILET SYSTEM**, call the office, and a CALLAHEAD fresh water delivery truck is dispatched to your location.

CALLAHEAD is world renowned in the portable sanitation industry due to our constant innovations, and unmatched service since 1976. The **MAC SYSTEM** is the answer to deliver a problem-free homelike porcelain toilet system when and where you need one. Our expertise and dedication to service are what has made CALLAHEAD the number one company in our industry. When you are looking for the world's best equipment and service in the portable sanitation industry, only CALLAHEAD delivers every time.

CALLAHEAD'S **MAC** TOILET SYSTEMS

THE MAC TOILET SYSTEM IS IDEALLY SUITED FOR THE FOLLOWING:

CONTAINER OFFICE TRAILER - Office trailers placed completely on the ground when delivered to the customer. These office trailers have no crawl space underneath for waste tanks, fresh water tanks, and pumps. In this case, you cannot use the natural energy of gravity to flush and remove the waste from the toilet to the waste tank. For these office trailers, we move the waste horizontally and then vertically to the waste holding tank. This is an example of the **MAC TOILET SYSTEM** being the perfect solution. The **MAC TOILET SYSTEM** moves the waste through the wall of the trailer directly behind the toilet and then up and into the holding tank in only seconds. The **MAC TOILET SYSTEM** is the perfect system for all office container bathrooms. All waste is removed by a CALLAHEAD waste tank truck. When there is no running water, our CALLAHEAD professional technician will put a fresh water tank next to the waste tank. The fresh water tank will have a well pump and is hooked up to the **MAC TOILET**. Now you have a porcelain toilet with running water flushing to the waste tank. All fresh water will be delivered in a CALLAHEAD fresh water ONLY delivery truck.

HIGHRISE BUILDINGS/SKYSCRAPERS - With the CALLAHEAD **MAC TOILET SYSTEM** you will have the ability to use a porcelain toilet bowl on multiple floors and up in the air at higher elevations. For a high-rise building or skyscraper job site or to fill the need at any existing building not under construction the **MAC TOILET** can be placed in a room and hooked up to a water supply with a hose from any available water source. We will hook up a 1" waste line to run the waste line down to the waste tank located at the ground floor. You can run the hose (waste line) down stairwells, down the side of a building, out of a window, down the elevator shaft or any other possible way to the waste tank. The **MAC TOILET SYSTEM** delivers a porcelain toilet bowl to various floors of a high-rise building with the waste collected in the waste tank located at the ground level. All waste is removed and serviced by a CALLAHEAD waste tank truck. When there is no running water, our CALLAHEAD professional technician will put a freshwater tank next to the waste tank. The fresh water tank will have a well pump and is hooked up to the **MAC TOILET**. Now you have a porcelain toilet with running water flushing to the waste tank. All fresh water will be delivered in a CALLAHEAD fresh water ONLY delivery truck.

BASEMENTS - Perfect for use in any home or building basement. The **MAC TOILET SYSTEM** provides a bathroom with gravity drain lines perfect for bathroom additions and remodels without breaking up concrete basement floors. Put the **MAC TOILET SYSTEM** anywhere you need inside a basement. For example, place the **MAC TOILET** inside a house with an existing bathroom or closet. Our professional technician will run a fresh water hose to the toilet bowl from a sink of an existing exterior hose bib, a water line from an existing bathroom, etc. Next, we hook up a 1-inch waste hose to the toilet bowl and run that hose to the outside of the house thru a window, door or any opening to the outside. Then we take the 1" hose and hook it up to the waste tank. The waste tank must be vented. However, the **MAC TOILET SYSTEM** does not have to vent since it is essentially the main sewer line with no additional lines requiring venting. The toilet flushes directly into the waste tank. All waste is removed and serviced by a CALLAHEAD waste tank truck. When there is no running water, our CALLAHEAD professional technician will put a freshwater tank next to the waste tank. The fresh water tank will have a well pump and is hooked up to the **MAC TOILET**. Now you have a porcelain toilet with running water flushing to the waste tank. All fresh water will be delivered in a CALLAHEAD fresh water ONLY delivery truck.

TRADITIONAL OFFICE TRAILERS - Generally traditional office trailers rely on standard porcelain toilet bowls typically used in a home or commercial bathroom. Issues can arise with these toilets which include, continuing to run water due to the handle and linkage hanging up and not allowing the toilet water valve to shut off. When this occurs, the water continues to run through the toilet right into the tank. This fills up the waste tank in only a couple of hours. Another issue, most of these toilets use 1.6 gallons of water per flush filling the waste tank quickly. This requires more pumping service by CALLAHEAD. A much more popular system for a traditional office trailer is a low flush porcelain toilet from the yachting industry. This toilet is spring loaded, so it does not hang up. It also flushes only a 1/2 gallon as opposed to 1.6 gallons per flush using 1/3 of the water. These systems only work well when there is a large enough crawl space under the trailer to place waste tanks for collecting waste from the toilet bowl using gravity. The **MAC TOILET SYSTEM** is the ideal solution for when an office trailer is too low to the ground, and you have limited space for waste tanks beneath the trailer to utilize gravity to collect the waste from the toilet. A CALLAHEAD expert technician will install the **MAC TOILET** into the office trailer bathroom. Run the 1" waste line hose thru the wall and hook it up to a waste tank placed on the side along the outside of the trailer. When you flush, the toilet waste will flush right into the waste tank. The **MAC TOILET SYSTEM** also eliminates the need for a hard-piped plumbing set up. Just hook up a waste hose and run it directly into the waste tank. All waste is removed by a CALLAHEAD waste tank truck. When there is no running water, our CALLAHEAD professional technician will put a fresh water tank next to the waste tank. The fresh water tank will have a well pump and is hooked up to the **MAC TOILET**. Now you have a porcelain toilet with running water flushing to the waste tank. All fresh water will be delivered in a CALLAHEAD fresh water ONLY delivery truck.

REMOTE LOCATIONS - The **MAC TOILET SYSTEM** is perfect of remote locations such as docks, boardwalks, Marinas, Tunnels, Parks, Fields, Bridges, Pits, and all underground locations. The toilet automatically pumps the waste to another location after the flush. All waste is removed by a CALLAHEAD waste tank truck. When there is no running water, our CALLAHEAD professional technician will put a freshwater tank next to the waste tank. The fresh water tank will have a well pump and is hooked up to the **MAC TOILET**. Now you have a porcelain toilet with running water flushing to the waste tank. All fresh water will be delivered in a CALLAHEAD fresh water ONLY delivery truck. When you are located out on the water or up in the air or below the ground, the **MAC TOILET SYSTEM** will resolve all your sanitary problems.

GARAGES & SHEDS - to eliminate the need for contractors using a house bathroom during any renovation work. Also perfect for outside jobs such as landscaping and masonry work. A garage or shed can easily house the **MAC TOILET SYSTEM**. All waste is removed by a CALLAHEAD waste tank truck. When there is no running water, our CALLAHEAD professional technician will put a freshwater tank next to the waste tank. The fresh water tank will have a well pump and is hooked up to the **MAC TOILET**. Now you have a porcelain toilet with running water flushing to the waste tank. All fresh water will be delivered in a CALLAHEAD fresh water ONLY delivery truck.

THE MAC TOILET SYSTEM DIMENSIONS AND SPECIFICATIONS:

18" H x 14" W x 21" D • Discharge Pipe Diameter – 1" • Discharge Rate at Max Height – 13 GPM • Horizontal Discharge – 100-Feet • Vertical Discharge – 10-Feet • Horsepower – 0.3 • Maximum Temperature – 95 degrees (F) (110 F Max) • Minimum Gravity Fall on Horizontal Run – ¼" Per Foot • Motor – 0.3 HP oil-filled thermally protected motor • Motor Speed – 3600 RPM • Electrical – 120V – 60Hz / 7.2 Amps (Max) • Power Cord Length – 50" • Capacity Rating – 2 X 25 microfarad • Water Consumption – 1 Gallon Flush • One Piece Toilet • ADA Compliant Toilet Seat Height • Soft Close Toilet Seat • Floor Mounted • Method of Activation – Push Button • Weight – 65 Lbs. • Pump Type – Macerator

WELL PUMP SPECIFICATIONS:

115V/60Hz • 1-3/5 HP Motor • 1" Discharge • Mat Pump Rate – 1000 GPH • 5-Gallon Tank • Max Pump Height – 151-Feet • Max Suction Height – 27-Feet • Automatic Pressure Booster is Designed for Continuous Operation • Well Pump Restarts Automatically as Soon as Pressure Drops • Pump Shuts Off When It Reaches Designated Pressure

VERTICAL BLACK WASTE WATER TANKS SPECIFICATIONS:

65-Gallon Waste Water Tank - 23" W x 42" H • 100-Gallon Waste Water Tank - 28" W x 43" H • 135-Gallon Waste Water Tank - 28" W x 59" H • 165-Gallon Waste Water Tank - 31" W x 56" H • 200-Gallon Waste Water Tank - 30" W x 72" H • 250 Gallon Waste Water Tank - 38" W x 89" H • 300 Gallon Waste Water Tank - 35" W x 81" H • 350 Gallon Waste Water Tank - 47" H x 51" H

VERTICAL WHITE FRESH WATER TANKS SPECIFICATIONS:

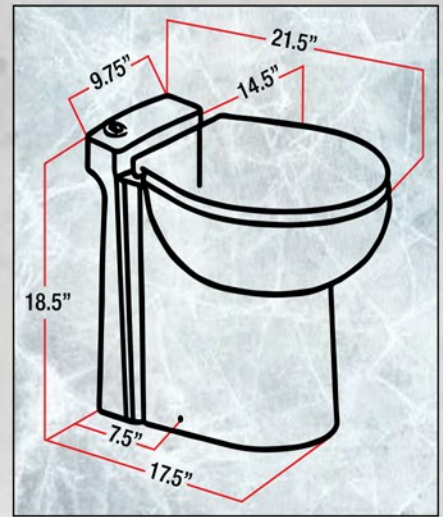
65-Gallon Fresh Water Tank - 23" W x 42" H • 100-Gallon Fresh Water Tank - 28" W x 43" H • 135-Gallon Fresh Water Tank - 28" W x 59" H • 165-Gallon Fresh Water Tank - 31" W x 56" H • 200-Gallon Fresh Water Tank - 30" W x 72" H • 250 Gallon Fresh Water Tank - 38" W x 89" H • 300 Gallon Fresh Water Tank - 35" W x 81" H • 350 Gallon Fresh Water Tank - 47" H x 51" H

HORIZONTAL BLACK WASTE WATER TANKS SPECIFICATIONS:

75-Gallon Waste Water Tank - 45" L x 22" W x 17" H • 115-Gallon Waste Water Tank - 4' x 3' x 17" H • 150-Gallon Standard Waste Water Tank - 4' x 4' x 17" H • 150-Gallon Low Profile Waste Water Tank - 4' x 5' x 13" H • 225-Gallon Waste Water Tank - 4' x 8' x 13" H • 300-Gallon Waste Water Tank - 4' x 8' x 17" H

HORIZONTAL WHITE FRESH WATER TANKS SPECIFICATIONS:

75-Gallon Fresh Water Tank - 45" L x 22" W x 17" H • 115-Gallon Fresh Water Tank - 4' x 3' x 17" H • 150-Gallon Standard Fresh Water Tank - 4' x 4' x 17" H • 150-Gallon Low Profile Fresh Water Tank - 4' x 5' x 13" H • 225-Gallon Fresh Water Tank - 4' x 8' x 13" H • 300-Gallon Fresh Water Tank - 4' x 8' x 17" H



CALLAHEAD'S **MAC** TOILET SYSTEMS



CALLAHEAD is world renowned in the portable sanitation industry due to our constant innovations, and unmatched service since 1976. The **MAC SYSTEM** is the answer to deliver a problem-free homelike porcelain toilet system when and where you need one. Our expertise and dedication to service are what has made **CALLAHEAD** the number one company in our industry. When you are looking for the world's best equipment and service in the portable sanitation industry, only **CALLAHEAD** delivers every time.

The MAC TOILET SYSTEM ~ by CALLAHEAD ~ 1.800.634.2085